



AMFEC

AMERICAN FOOD EQUIPMENT COMPANY

WWW.AMFEC.COM

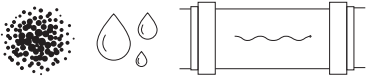
**X-RAY
DETECTION**

—
PIPE XR-3.0”

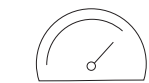
powered by

AICON X-RAY
IMAGING QUALITY

PIPE XR-3.0[™]



A modern X-ray inspection system designed to control the quality of liquid, semi-liquid and fragmented products transported by a 3.0" pipe. This device provides the highest available level of contamination detection while minimizing the rejection of uncontaminated product. The robust construction of the AICON PIPE XR device – made to the IP69 standard – allows operation to continue even under the most demanding production conditions.



150 m/min
Speed



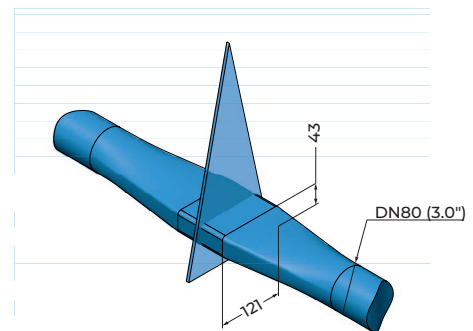
10 Gb/s
Processing



8.5 m³/h
Performance

ADVANTAGES

- **Effective detection** - the highest detection level (POD) of metallic contamination, glass, stones, calcified bones, Teflon, ceramics, dense plastics, product lumps and more, with the lowest false rejection rate (FRR).
- **Multifunctional** - thanks to the industry-record number of image analysis algorithms, AICON X-RAY detectors can efficiently handle any type of application.
- **High-performance** - innovative data processing method supporting production lines of up to 8.5 m³/h.
- **Dual Energy Imaging** - the optional Dual Energy Imaging technology uses two different radiation energies to differentiate between materials in order to more precisely detect contaminants in products that are “difficult” or inhomogeneous in terms of X-ray detection technology (for example, products that have different density, random arrangement or overlap).
- **Convenient operation (Ease of use)** - intuitive operation thanks to the high ergonomics of the system and the automation of product learning.
- **Simple integration** - the turn-key solution enables uncomplicated and quick integration into the production environment.
- **Traceable** - full product history (including the manufacturing process) and easy access to a detailed archive data for quality control.



Beam geometry



FEATURES

- **An intelligent, ergonomic design** - ergonomic solutions ensure comfortable operation and allow for easy and quick system adjustment, should you need to replace individual consumable components. Plus, these systems have been designed to the highest standard of hygiene for easy maintenance regardless of manufacturing conditions.
- **Simple and easy to use** - simple and convenient operation, thanks to the highly ergonomic system and automated product learning.
- **Interface personalization** - flexibility to adjust the control panel to suit individual user requirements, allowing for higher operational comfort.
- **Full MES integration** - intelligent integration into the production environment and vast compatibility with current industry standards guarantee seamless communication of the X-ray detection system with key devices in the production line (including EtherNet/IP, PROFINET, S7, EtherCAT, Modbus-TCP, Profibus, CAN, CANopen, OPC UA, SQL, Siemens Standard and RS).

TECHNICAL SPECIFICATION

Troughput	8.5 m ³ /h
Detection area	3.0"
Diode resolution	0,2 mm – 0,8 mm, Dual Energy
X-ray source	35-100 kV / 1.0-8.0 mA, 500 W
Number of scanning beams	1
Beam direction	Vertical
X-ray emission	<1 µSv/h, the product complies with legal EU directives
Cooling	Dry Air Cooling system
Operating environment	Temperature: 0 - 45 ° C, humidity: 30 - 95%, non-condensing
Ingress Protection	IP65 (optional IP69)
Construction material	Bead-blasted stainless steel 1.4301 (AISI 304)
Display	TFT LCD 15" Touchscreen
Operating system	Windows 10 Enterprise
Software	AiSoft
Number of product programmes	1000
Disk space	500 GB for x-ray pictures and internal data storage, expandable
Communication interfaces	Ethernet 10/100/1000 mbps, USB 3.0 for external data storage
Air requirement	Min. 6 bar for pneumatic rejection systems
Power supply	Single phase, 230 VAC +/- 10%, fuse 16 A
Dimensions	2163 mm x 1022 mm x 2277 mm (L x B x H)



CUTTING-EDGE TECHNOLOGY IN X-RAY INSPECTION



Phone:

208-614-6030

Mail:

sales@amfec.com

Website:

www.amfec.com

Address:

4923 East Linden Street
Caldwell, ID 83605

SEE MORE ON
OUR WEBSITE

